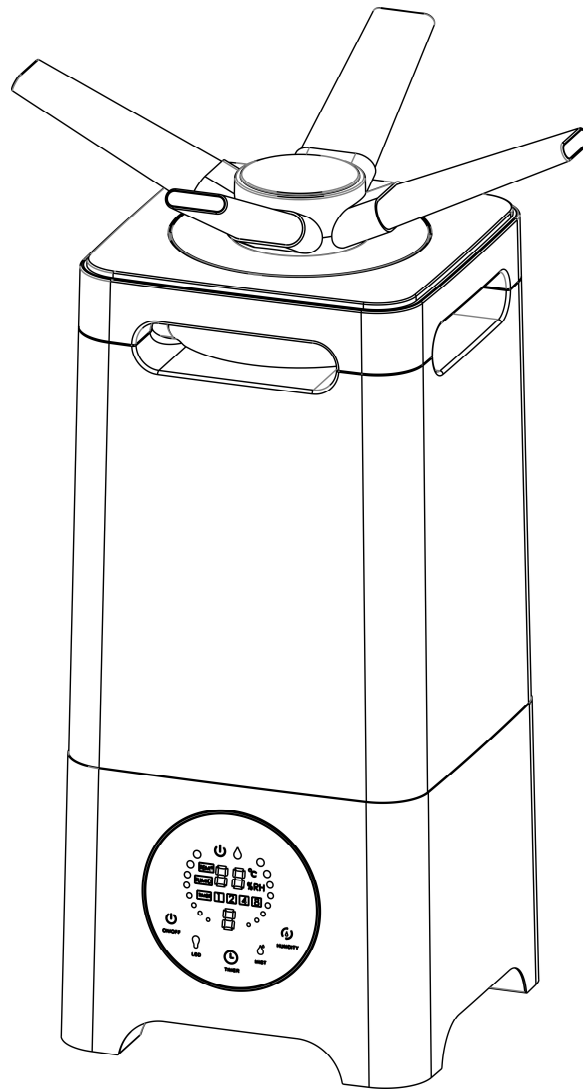


# Ultrasonic Humidifier

## Use Guide



DRIVE DRY

AIR STERILIZATION

BEAUTIFICATION HOUSEHOLD

## A COMFORTABLE LIFE

This appliance is not intended for use by persons (including children) with reduced physical, sensory or mental capabilities, or lack of experience and knowledge, unless they have been given supervision or instruction concerning use of the appliance by a person responsible for their safety.

Children should be supervised to ensure that they do not play with the appliance.

If the supply cord is damaged, it must be replaced by the manufacturer, its service agent or similarly qualified persons in order to avoid a hazard..

The instructions shall state the substance of the following:

– unplug the appliance during filling and cleaning.

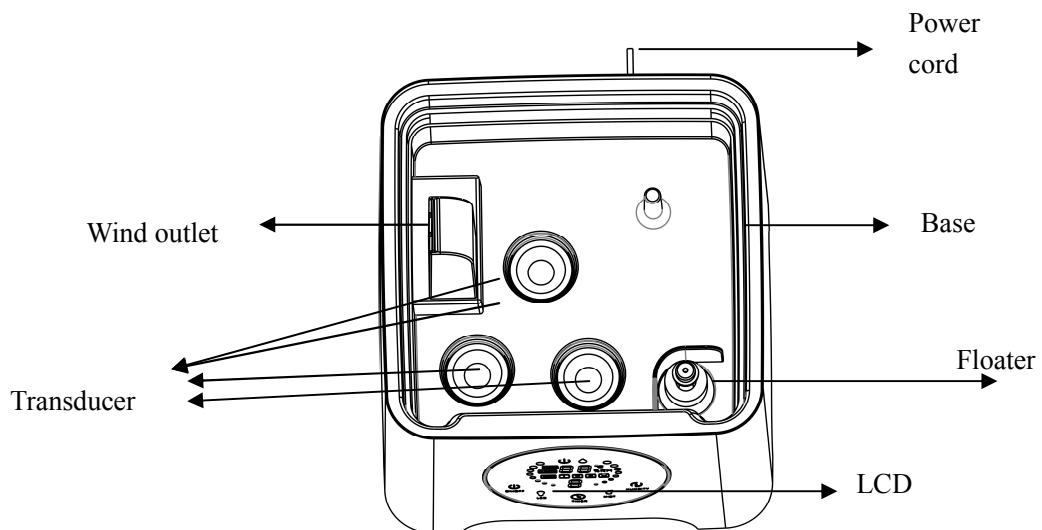
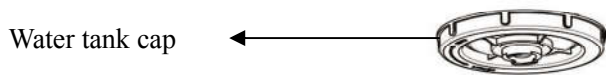
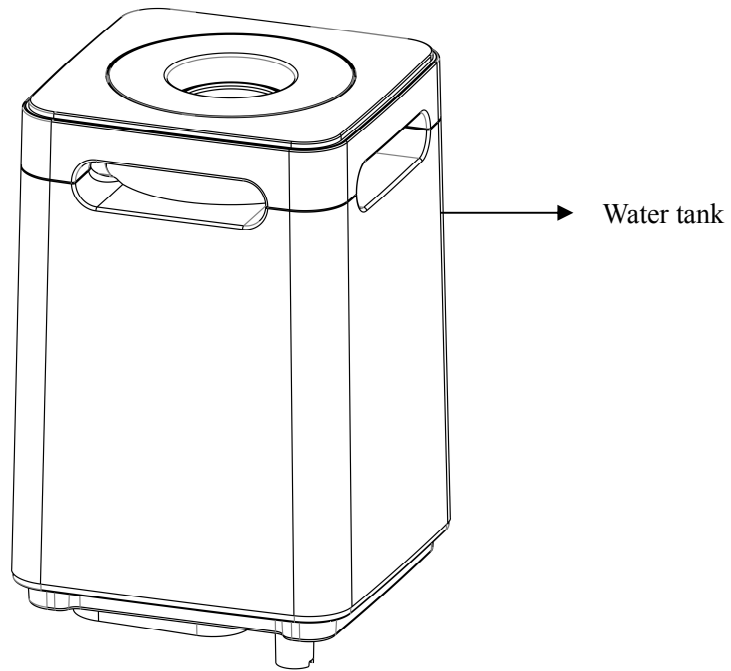
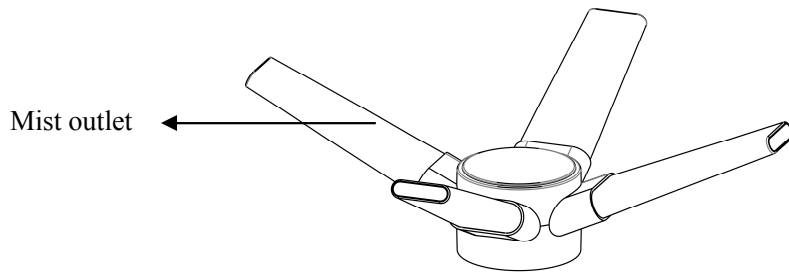
### ●FEATURE

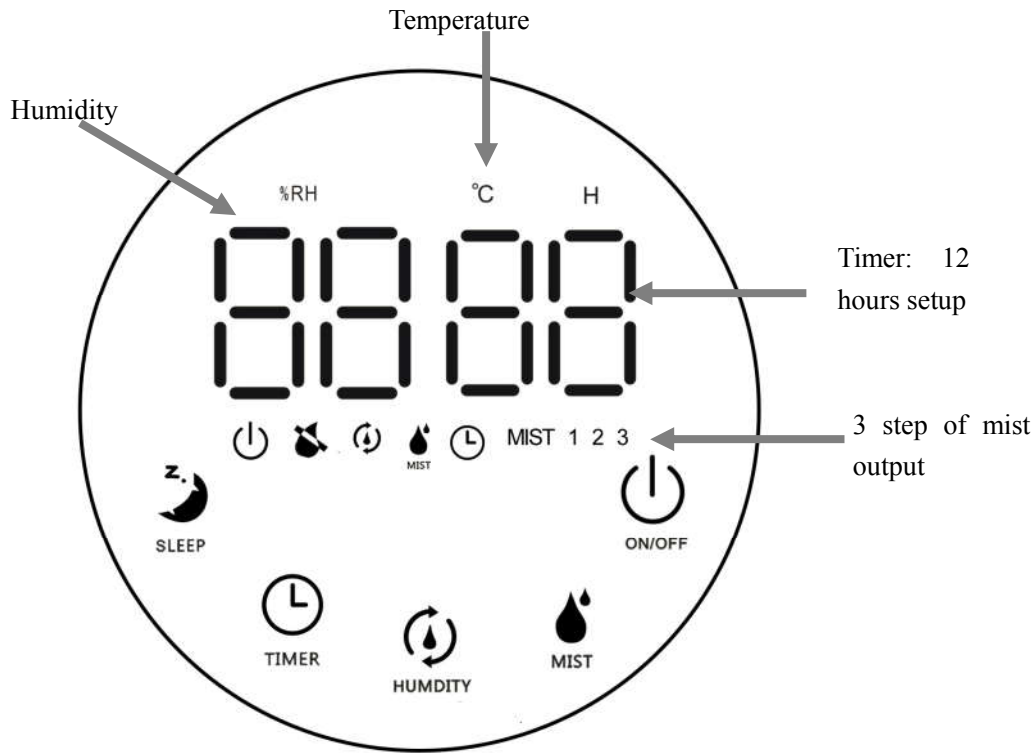
- 1、 Touch panel and Remote control.
- 2、 LCD display temperture and humidity.
- 3、 Humidity and time setup.
- 4、 Still working in sleeping mode
- 5、 13L large capacity ultrasonic humidifier
- 2、 1L/H large mist output suit any environment.
- 3、 Mist output can be adjustable and 360 move.
- 4、 Ultrasonic high frequency oscillation atomize the water into mist quickly.
- 5、 Whisper-quiet cool mist operation and mist output can be adjustment
- 6、 Auto cut out when waterless.

### ●SPECIFICATION

MODEL	KC-901D
EFFECTIVE RANGE	40-50 M <sup>3</sup>
MIST VOLUME CONTROL	Yes
VOLTAGE	220V/50Hz
POWER	80W
MIST CAPACITY	1L/h

● CONSTRUCTION

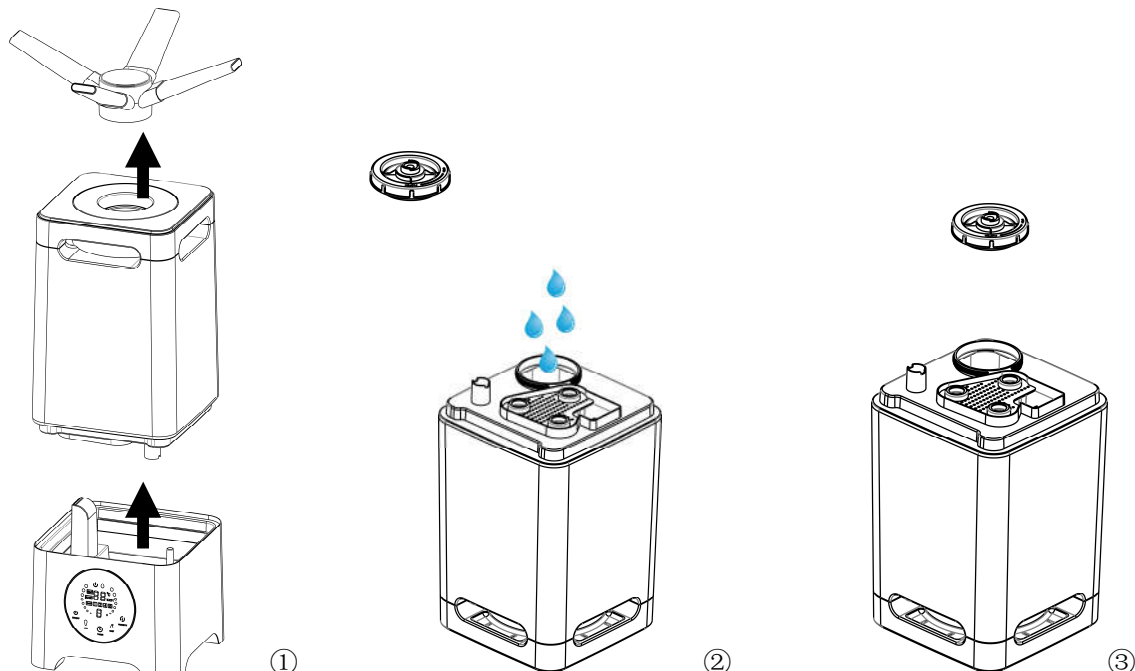




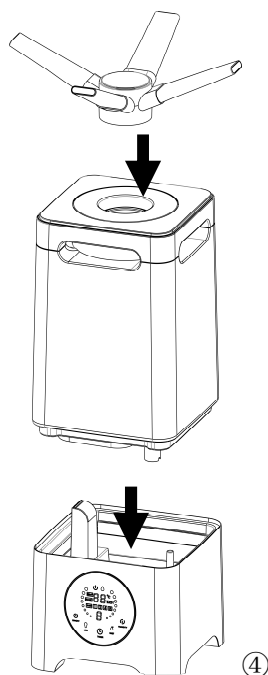
- "ON/OFF": Turn on/off the machine.
- "MIST": There are 3 step of mist output, push the button to chose the humidity.
- "TIMER": There are 12hours of timing mode for your chose.
- "HUMIDITY": ① Enter in Intelligent humidification mode. Choose the humidity your want: 60%-65%-70%-75%-80%-85%-90%. Machine will be stoped when humidity of environment reach the humidity your set
- "SLEEP MODE": Enter in sleep mode. Turn off the LCD when sleeping, machine still in working.

## ● PROPER OPERATION

- 1、 Place the body horizontally at a suitable place.
- 2、 Take out the water tank and screw out the tank cap, Put water into the tank directly, replace the top cover again.



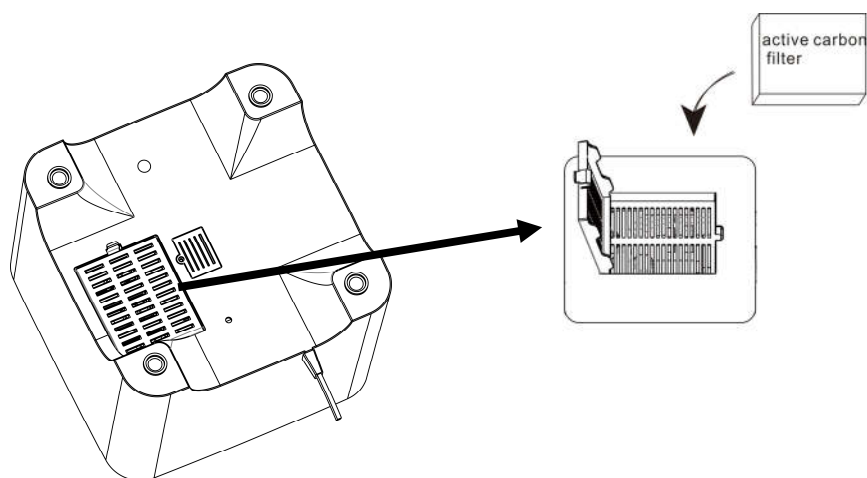
3、 Replace the water tank and mist outlet.



4、 Connect the unit to the right power supply, turn on the power switch, the LCD will be light.

5、 Machine can turn off automatically when water less and will remind you in LCD.

#### ● Change activated carbon filter



#### ● OPERATING PRECAUTIONS

- 1、 Don't add essential oil into the water bath and water tank directly, otherwise there will be bad for machine.
- 2、 Place the body horizontally at a suitable place, and the angle of slope less than 5°.
- 3、 Don't take away water tank and touch water bath without turning off power.
- 4、 Don't touch the atomization plate upon machine is working, otherwise you will have the feel of pain.
- 5、 Never touch the atomization plate with a sharp hard tool. Clean it with wet cloth only.
- 6、 Don't turn on the plug with a wet hand, otherwise there might be the risk of electric shock.
- 7、 During cleaning, avoid water entry into the body, lest the internal electric components should become damp and faulty,
- 8、 Don't disassemble the unit without cutting off the power to avoid an electric shock.

- 9、 Please don't move or shake machine casually when there is water in water bath, otherwise water might overflow and flow into the body to cause troubles.
- 10、 Don't add hot water of above 40°C to the water tank and water bath to avoid discoloration or distortion.
- 11、 When the room temperature is below 0°C, please empty the water tank and water bath, lest the icing of water should damage the components.
- 12、 Don't replace the power cord without authorization.
- 13、 Please cut off the power if you don't use the machine.

#### ● MAINTENANCE AND CLEANING

Before cleaning, be sure to cut off the power and unplug the plug.

- 1、 Cleaning of water tank(once every 2-3 weeks)  
Screw off the water tank cover, wipe off the scale and rinse with water.
- 2、 Cleaning of water bath(once a week)  
If there is scale in the water bath and transducer, put a little cleaning agent of humidifier in it, cleaning it after 30 minute.
- 3、 External cleaning of humidifier  
Rinse the soft cloth in warm water of below 40°C, wipe off the surface stain. The spray nozzle can be flushed with water directly.
- 4、 Storage of humidifier  
When the unit will not be used for a long time, clean and dry the unit, store it at a dry place in the original package.